

# MECHANICAL SPECIFICATIONS



THE ORIGINAL SELF-CONTAINED SOLAR POWERED ATTIC-VENTILATING FAN.

New Innovative  
Technology

Fan-Attics NEW state of the art, high-powered solar module combines: Certifications, Design by Engineers, and new solar technology into an all-new industry leading Solar Attic Fan. The newly designed co-polymer UV resistant shroud is designed specifically for our application. It increases airflow and isolates the solar module from heat transfer, unlike metal. It will not rust, corrode, or dent. The Fan-Attic solar panel is matched to our custom-engineered DC Motor and our exclusive new "Double Radius Fan Blade" by *Revcor*, complementing one another for optimum airflow.

UP TO 1200 SQ. FT. VENTING CAPACITY  
UP TO 850 CFM

## COMPONENTS

### Photovoltaic Module:

- \* Hi-Powered configuration custom engineered exclusively for the Fan-Attic application.
- \* Module sealed to the top side of a 20.5" diameter ABS UV protected shroud cover using Vulkem 116 Polyurethane Sealant.
- \* 35 Multi/Monocrystalline Solar Cells
- \* Manufactured to ISO 9001 standards

### Output Cable:

- \* Two(2)-18awg. lead wires from the junction box on the underside of the PV module are routed down the outer side through a rubber grommet to the inside of the lower section.
- \* 1/8<sup>th</sup>" nylon tie wraps secure wires to the W Brackets and attach to the positive and negative motor terminals by two(2)-.25" female wire connectors.

### Substrate:

- \* Tedlar

### Overlay:

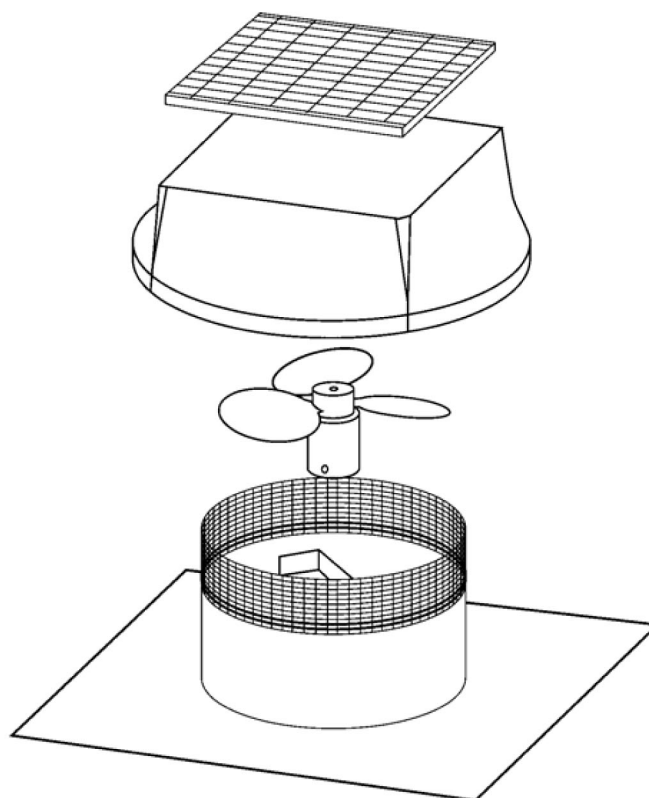
- \* Encapsulation between hi-transmission tempered glass and the EVA "TPT-TPE" guarantees the solar module excellent durability under harsh outdoor conditions.
- \* Manufactured to DIN / EN ISO 2001 2000 and ISO 9001 2000 and ISO ITSI 6949 / 2002  
Certification by TÜV, Rheinland

### Shroud Cover:

- \* UV stabilized unbreakable hi-tech vacuum formed co-polymer composite
- \* Resists dents, deformation, rust, corrosion, and heat transfer

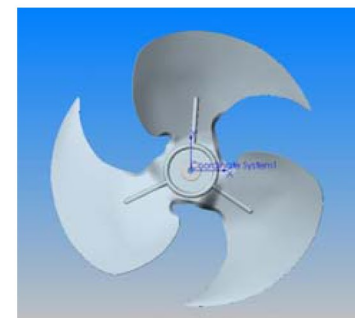
### Brackets:

- \* Shroud support comes from four(4)ga. Cover Brackets and fastened by four(4) #10 x 3/4" self-tapping screws to the shroud
- \* 16ga. Corrosion Resistant Steel



### Fan Motor/Blade Assembly:

- \* 38 Volt DC Brush Type Motor and one(1) piece triple blade "Double Radius Blade" by *Revcor* are held by two(2)-W Brackets.



### Roof Flashing/Base:

- \* 24" square horizontal section of 26ga. Zincalume alloy-coated steel

### Screen:

- \* The top edge of the vertical base houses a galvanized mesh screen.
- \* .225 galvanized mesh wire